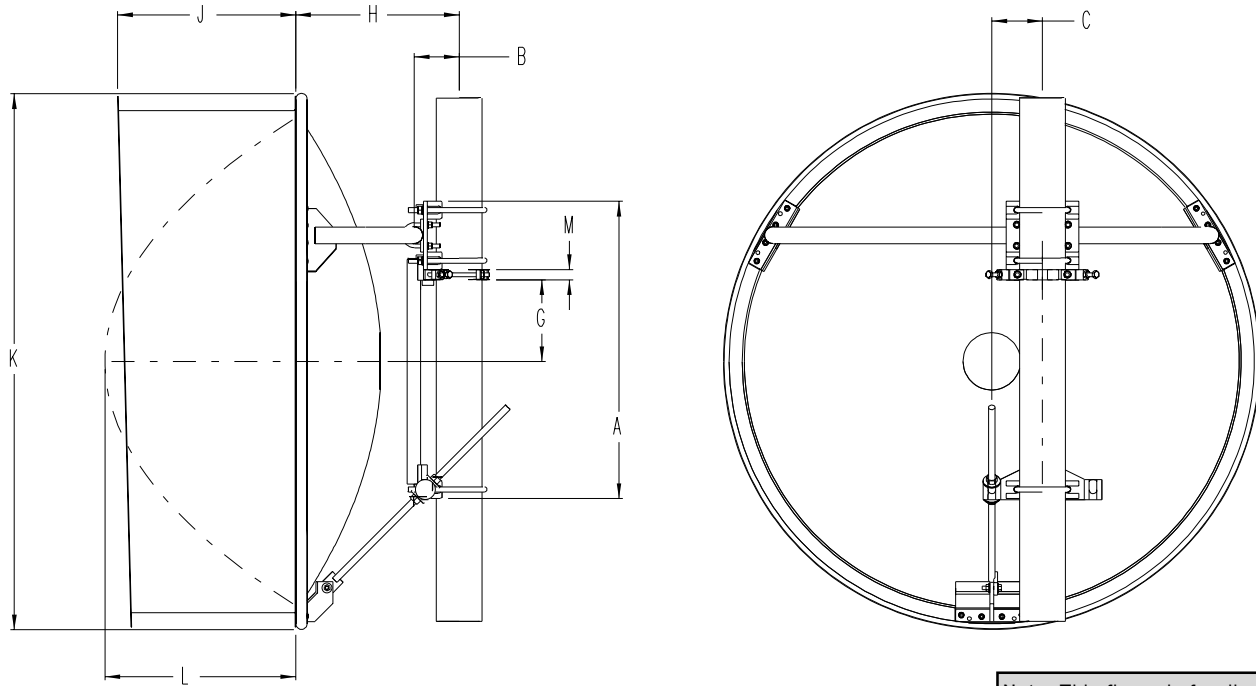


New 4-ft. (1.2 m) Mount



Note: This figure is for dimensional information only. Details of the various antennas may differ from those shown.

“New” 4 ft. (1.2 m) Mount Standard Parabolic Mechanical Specifications

Applicable 4-ft. (1.2) Antenna Models

2.300 - 2.500	SSP4-23B	Standard - Plane Polarized
2.300 - 2.500	SSD4-23A	Standard - Dual Polarized
5.250 - 5.850	QF4-52	Standard - Plane Polarized
5.250 - 5.850	SSP4-52B	Standard - Plane Polarized
5.250 - 5.850	QFD4-52	Standard - Dual Polarized
5.250 - 5.850	SSD4-52A	Standard - Dual Polarized

Antenna Size		4 ft. in.	(1.2) (mm)
A	Mount Length	29.4	(745)
B	Pivot Point	4.4	(110)
C	Center Line Offset	5.0	(125)
G	Antenna Centerline	8.1	(205)
H	Reflector Length	16.1	(410)
J	Shroud Length	18.6	(470)
K	Antenna Diameter	53.0	(1345)
L	Radome Length	18.8	(480)
M	Shearstop Collar	1.0	(25)
P	Reflector Vertex	13.3	(340)
Q	Mast Diameter	4.5 ⁽¹⁾	(115)
Azimuth Adjustment Range (Fine)		+/- 5°	
Elevation Adjustment Range		+20° / -5°	

Parabolic shipping information is available in the Shipping Information section of this catalog

- (1) Optional Mast Clamp Kits are available for other mast diameters (see page 121).
- (2) Elevation range is -5° / +20°. Invert mount for +5° / -20° elevation range.
- (3) Offset left or right without inverting mount.